

6

5

4

3

2

1

D

D

C

C

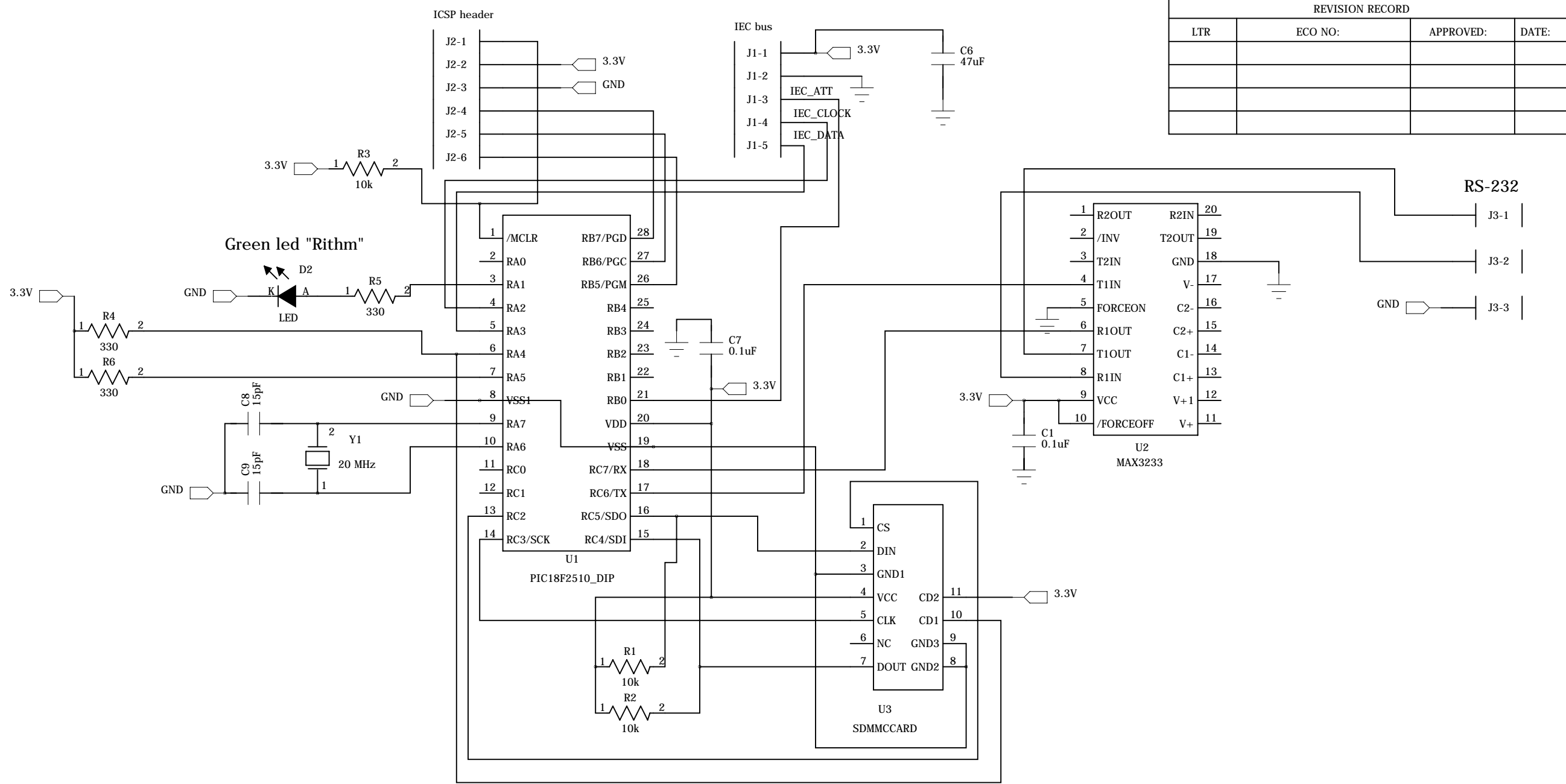
B

B

A

A

| REVISION RECORD |         |           |       |
|-----------------|---------|-----------|-------|
| LTR             | ECO NO: | APPROVED: | DATE: |
|                 |         |           |       |
|                 |         |           |       |
|                 |         |           |       |



COMPANY: **None**

TITLE: **DTV\_1541-III\_v1**

|   |                                       |
|---|---------------------------------------|
| DRAWN:<br><b>Jussi Säily</b>            | DATED:<br><b>02.06. 2006</b>          |
| CHECKED:<br><b>J.S.</b>                 | DATED:<br><b>02.06.2006</b>           |
| QUALITY CONTROL:<br><b>J.S.</b>         | DATED:<br><b>&lt;QC Date&gt;</b>      |
| RELEASED:<br><b>&lt;Released By&gt;</b> | DATED:<br><b>&lt;Release Date&gt;</b> |

|                   |                   |                         |                  |
|-------------------|-------------------|-------------------------|------------------|
| CODE:<br><b>1</b> | SIZE:<br><b>B</b> | DRAWING NO:<br><b>1</b> | REV:<br><b>1</b> |
| SCALE: 1:1        |                   |                         | SHEET: 1 of 1    |