

6

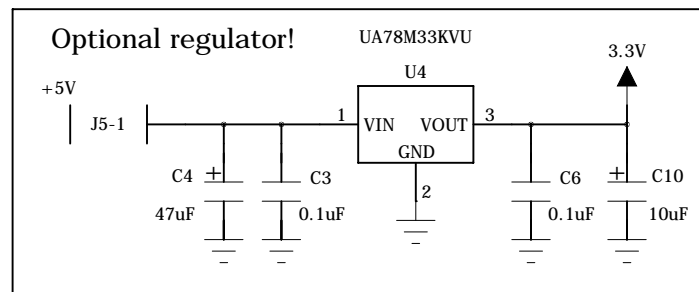
5

4

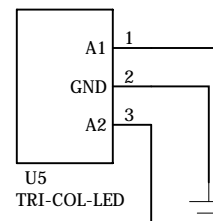
3

2

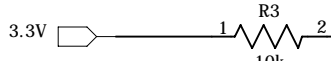
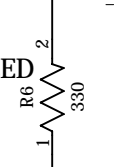
1



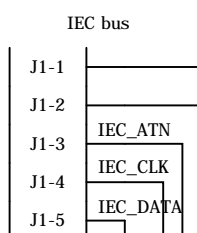
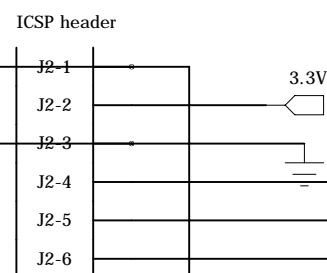
Optional single/bi/tri-colour LED
Normal green LED between pins 1 and 2!



mount R6 only if multicolour LED

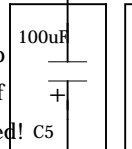


external reset switch

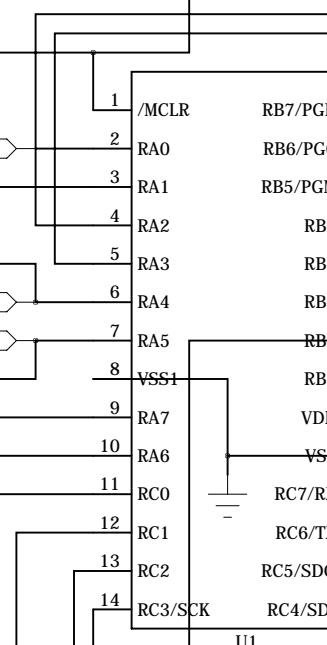


connect 3.3V if no regulator U4!

optional cap place only if audio is used!



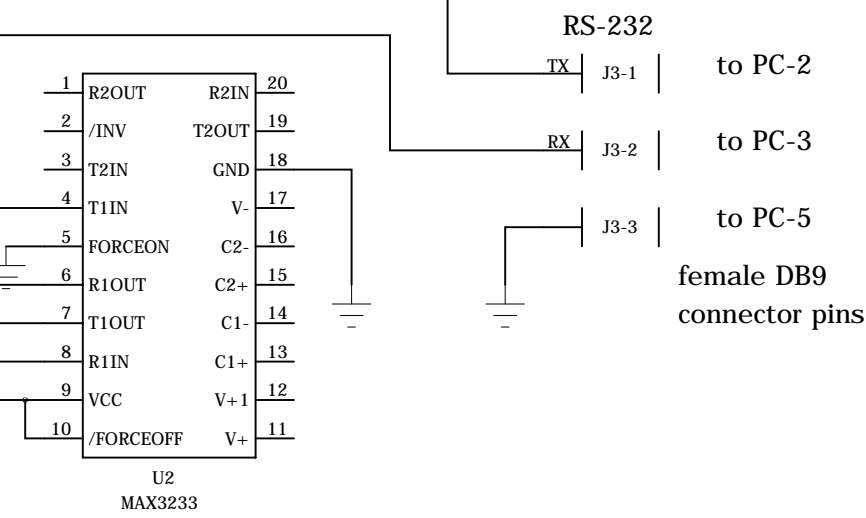
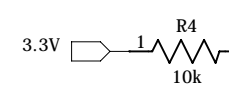
REVISION RECORD			
LTR	ECO NO:	APPROVED:	DATE:
	Added missing gnd link in card conn.		
	Added display & button terminals		
	Added 3.3V/5V level translators		



device = 8

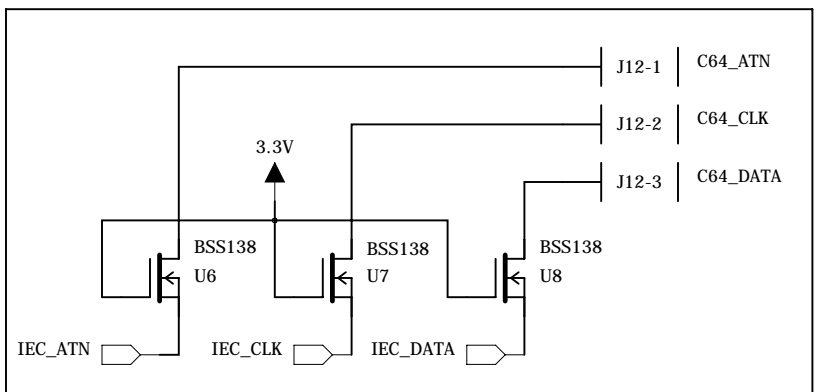
PIC18F2620

short = bootloader
open = normal op.

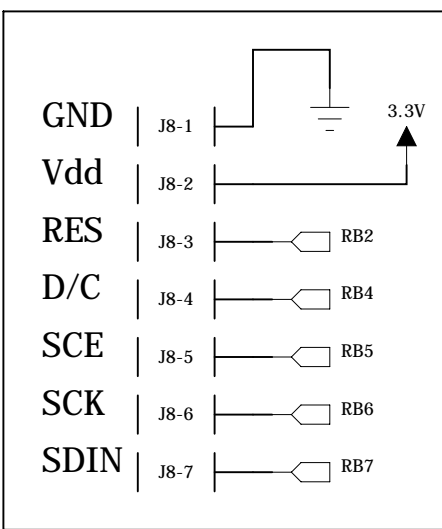


RS-232
TX | J3-1 | to PC-2
RX | J3-2 | to PC-3
GND | J3-3 | to PC-5
female DB9 connector pins

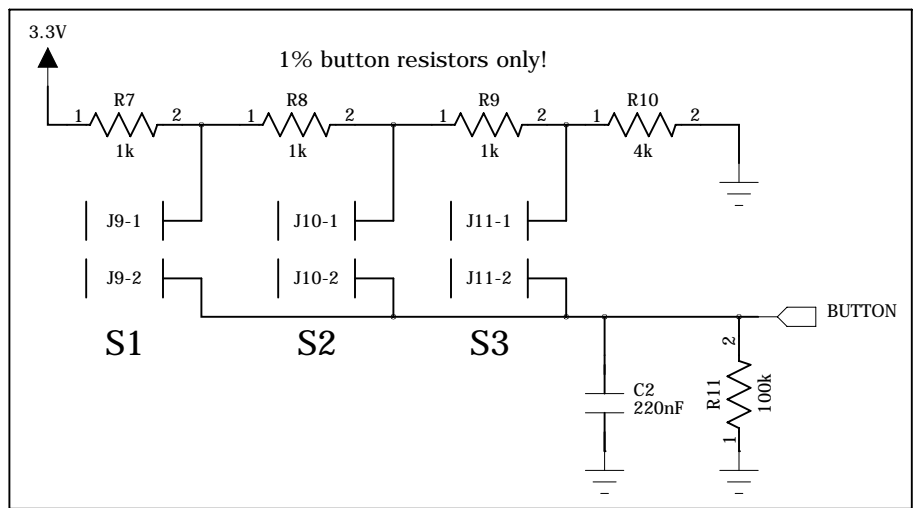
Optional 3.3V/5V level conversion



Optional Nokia 3310 display!



Optional D64 selection buttons



1% button resistors only!

DRAWN: Jussi Säily	DATED: 31.1. 2007
CHECKED: J.S., J.D.	DATED: 31.1. 2007
QUALITY CONTROL: J.S.	DATED: 31.1. 2007
RELEASED: J.S.	DATED: 31.1. 2007

COMPANY: None			
TITLE: DTV_1541-III_v1.3 (3rd released PCB)			
CODE: 1	SIZE: B	DRAWING NO: 1	REV: 1
SCALE: 1:1			SHEET: 1 OF 1

D

C

B

A

D

C

B

A