

6

5

4

3

2

1

D

D

C

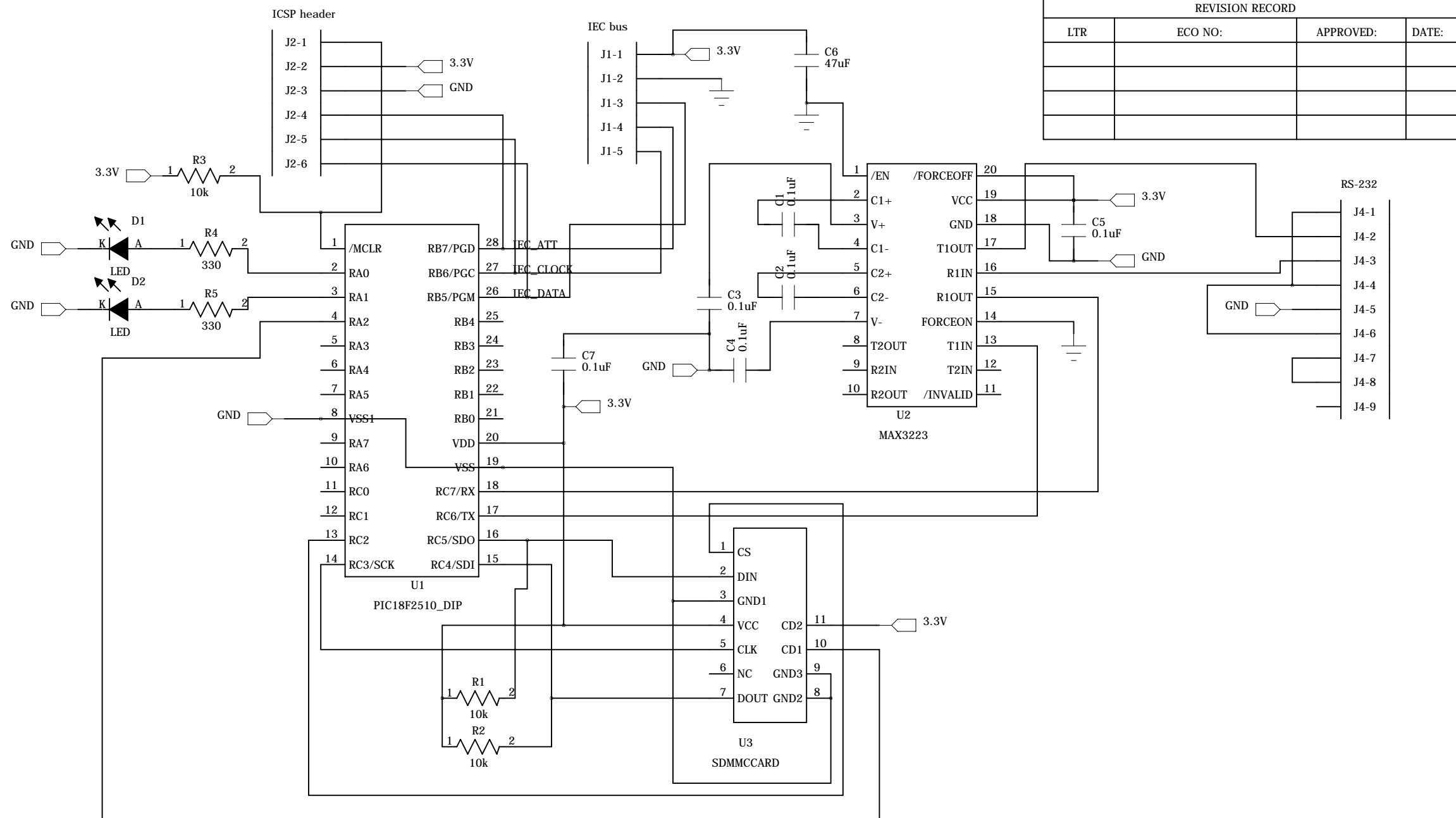
C

B

B

A

A



REVISION RECORD			
LTR	ECO NO:	APPROVED:	DATE:

COMPANY: **None**

TITLE: **PIC-IEC v1**

DRAWN: <b>Jussi Säily</b>	DATED: <b>13.3. 2006</b>
CHECKED: <b>J.S.</b>	DATED: <b>13.3.2006</b>
QUALITY CONTROL: <b>J.S.</b>	DATED: <b>&lt;QC Date&gt;</b>
RELEASED: <b>&lt;Released By&gt;</b>	DATED: <b>&lt;Release Date&gt;</b>

CODE: <b>1</b>	SIZE: <b>B</b>	DRAWING NO: <b>1</b>	REV: <b>1</b>
-------------------	-------------------	-------------------------	------------------

SCALE: 1:1 SHEET: 1 of 1